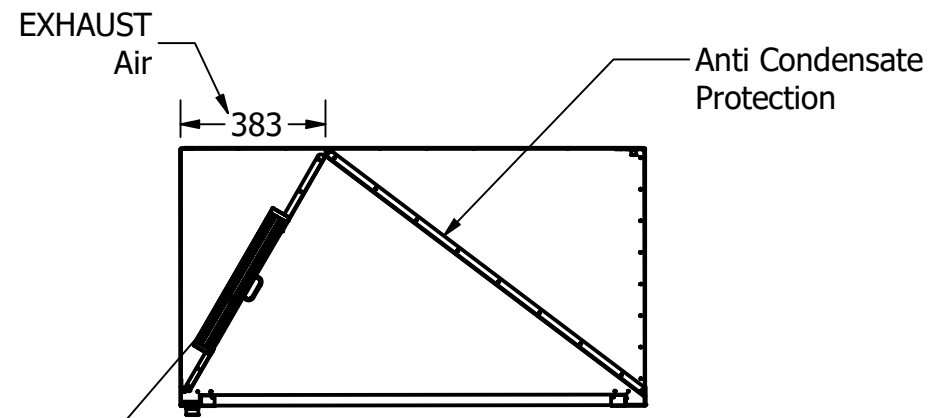
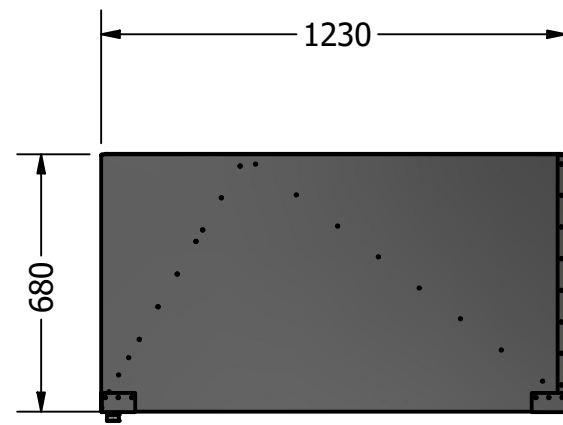
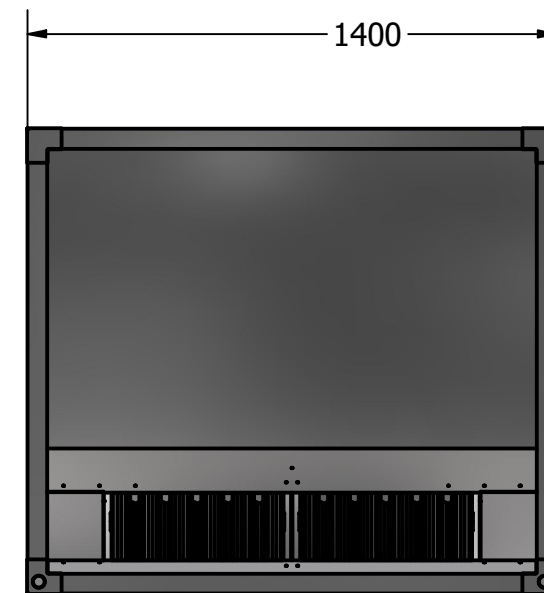
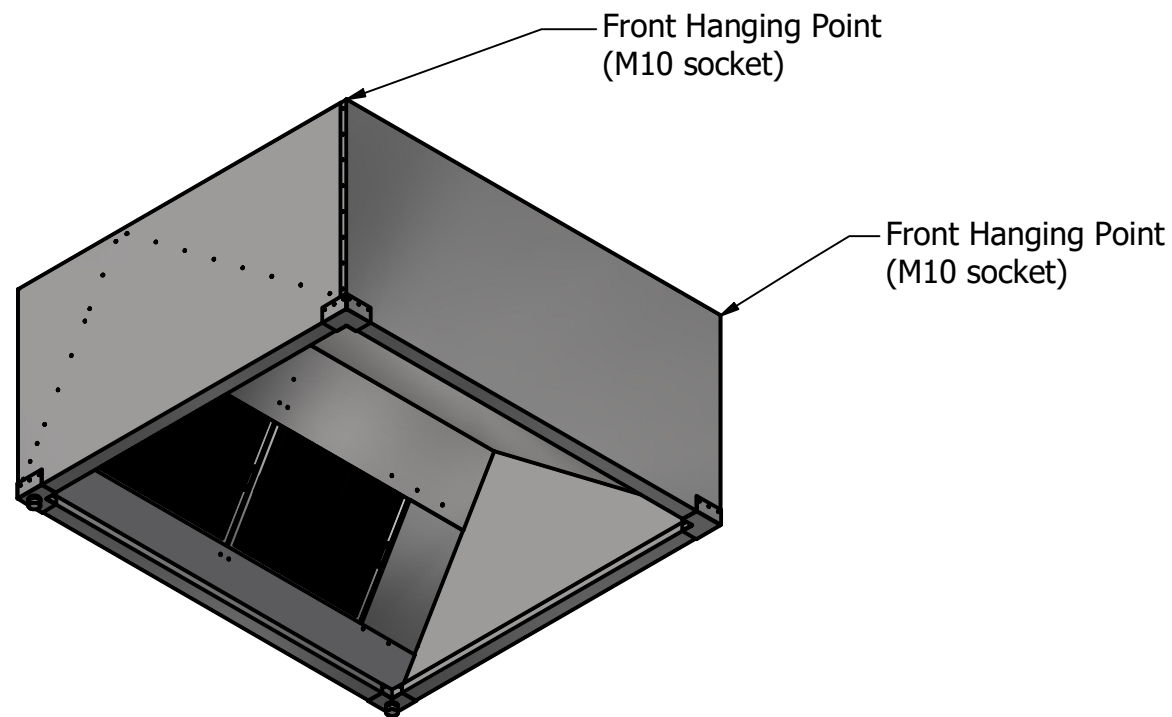
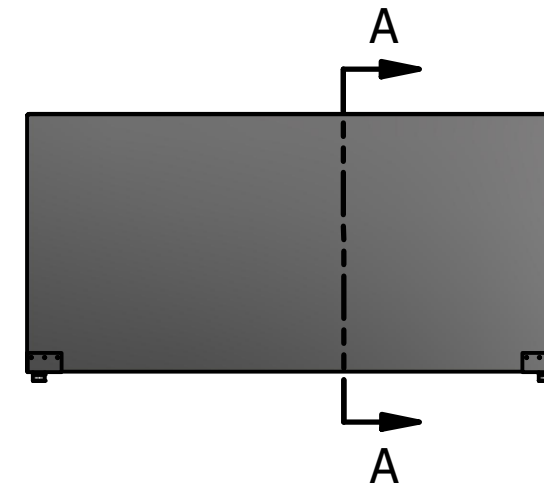


NOTE: Designed & Manufactured in compliance with A.S 1668.2-2012



Filter Face Angle  
30 Deg as required by AS1668



NOTE. Basic Xtracta models do not have provision for integrated return air handling. Return air must be provided by other means in the facility as required.

PROJECT				
Xtracta Standard Models				
DWG NO				
Xtracta 1400				
SIZE	SCALE	SHEET	DATE	REV
A3	DNS	1	22/03/2023	3