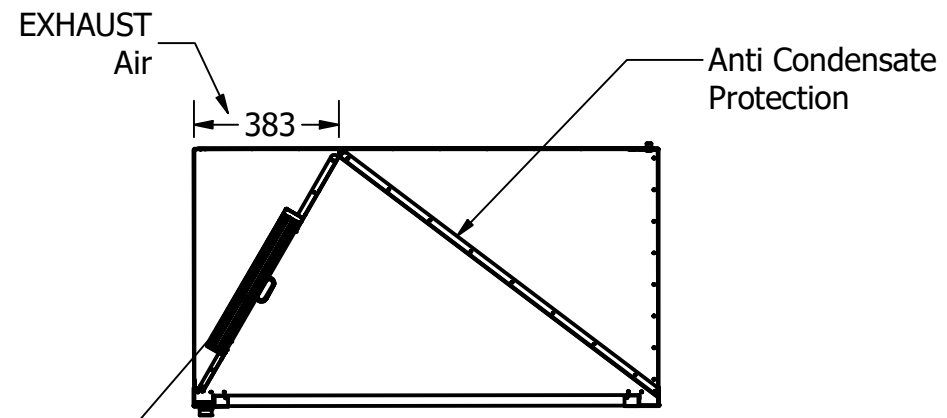
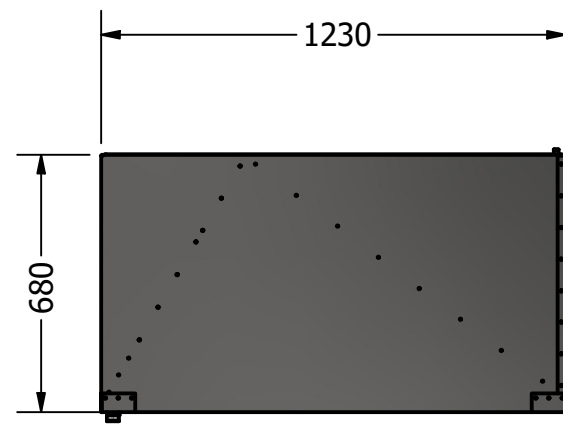
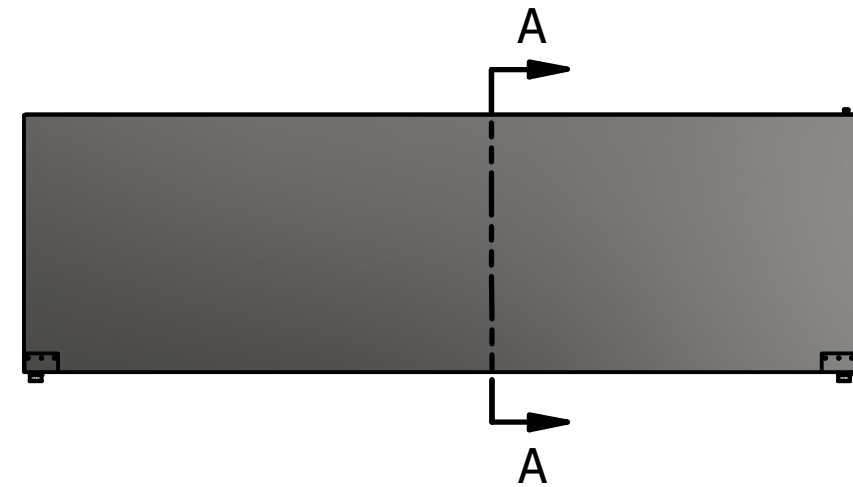


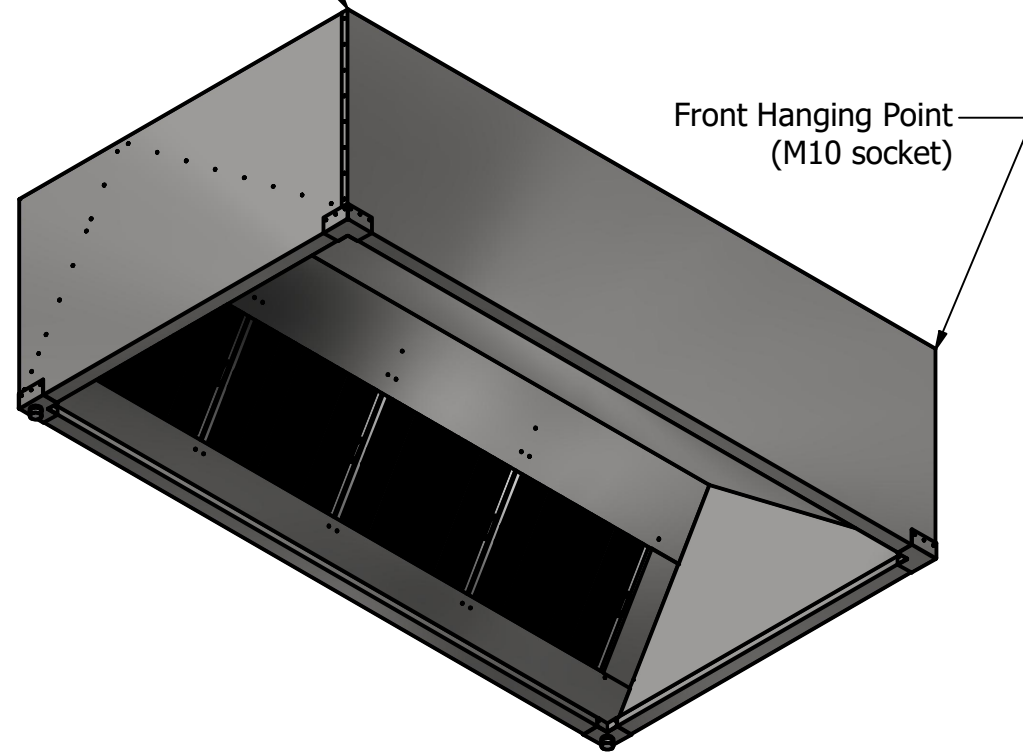
NOTE: Designed & Manufactured in compliance with A.S 1668.2-2012



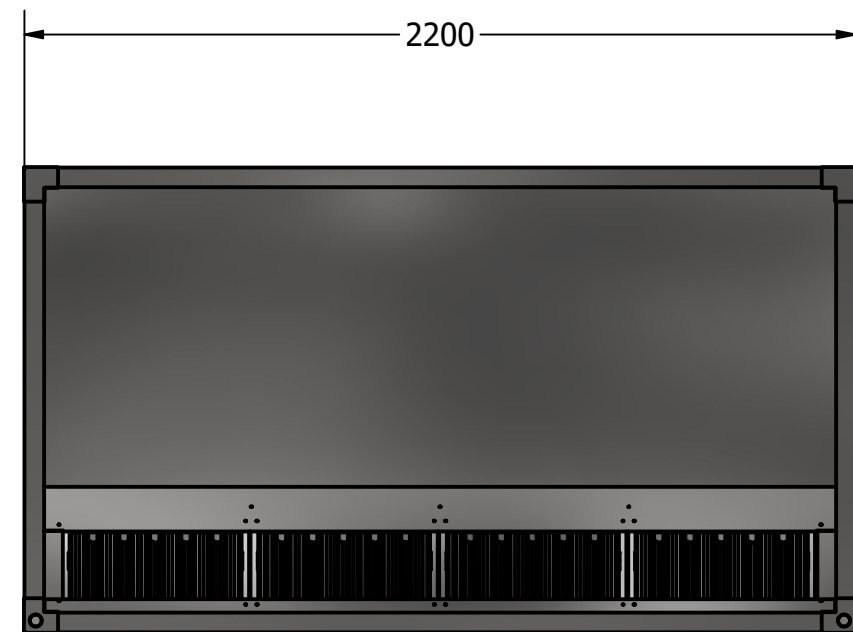
Filter Face Angle
30 Deg as required by AS1668



Front Hanging Point
(M10 socket)



Front Hanging Point
(M10 socket)



NOTE. Basic Xtracta models do not have provision for integrated return air handling. Return air must be provided by other means in the facility as required.

PROJECT				
Xtracta Standard Models				
DWG NO				
Xtracta 2200				
SIZE	SCALE	SHEET	DATE	REV
A3	DNS	1	18/05/2023	4