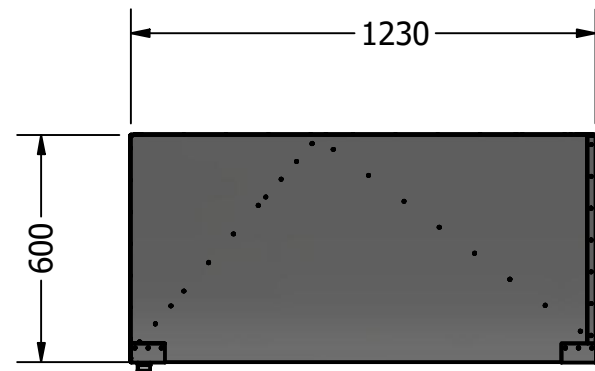
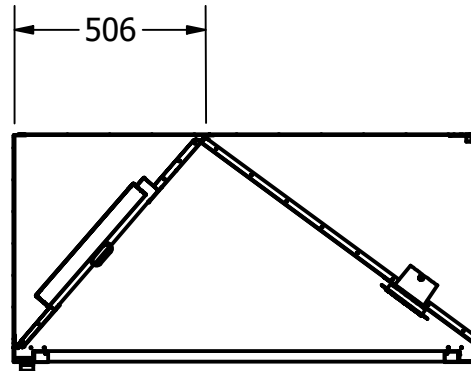


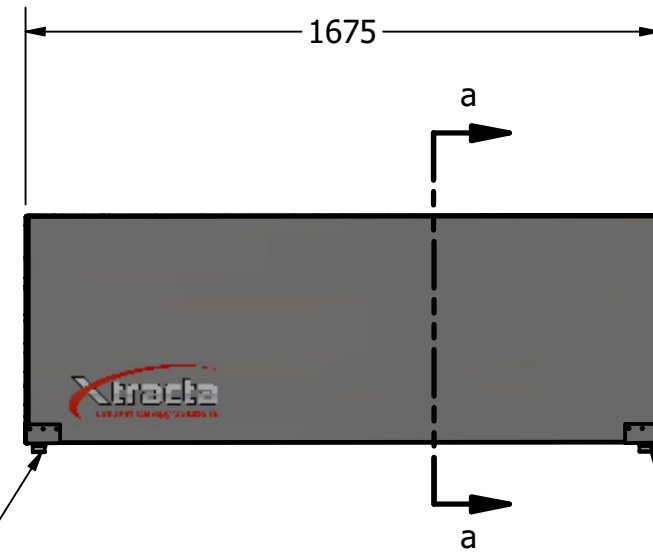
Designed & Manufactured in compliance with latest AS 1668.2-2024 Standard



Width of Internal Exhaust Plenum.



Sec a-a

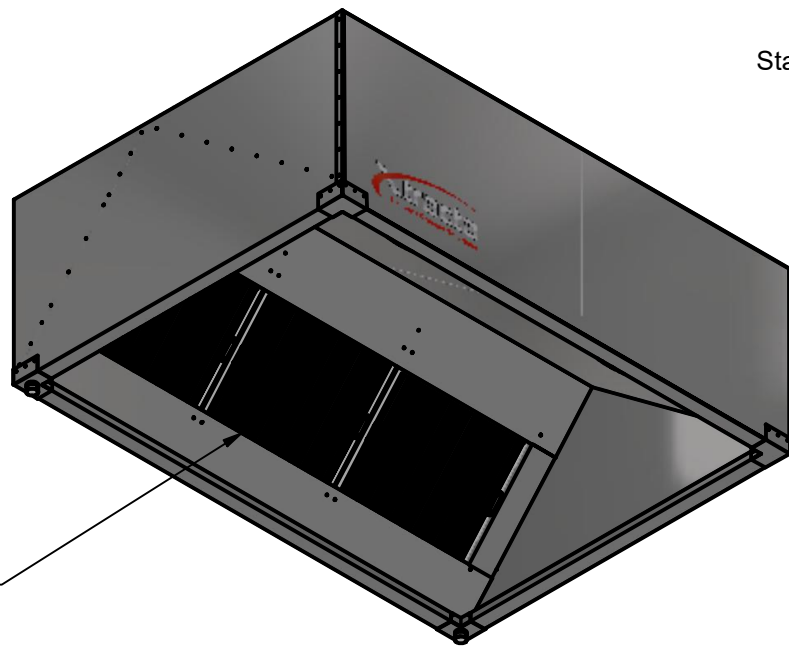


Rear Drain Plug

Rear Drain Plug Located at side edges for easy access

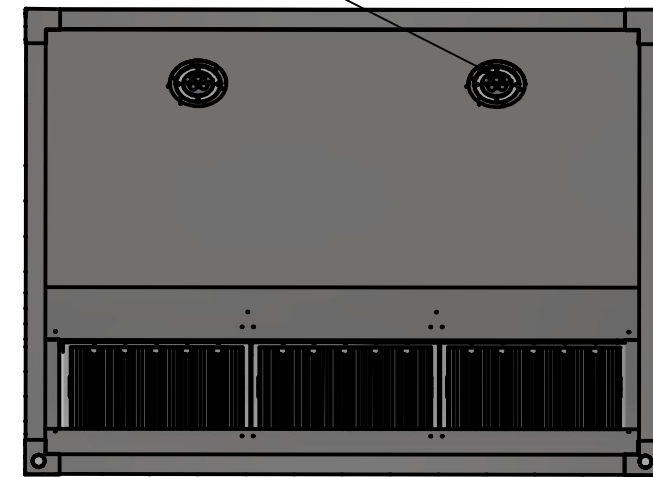
High Intensity LED light modules. IP67 rated. High Temperature, Tempered Glass protectors

Low voltage LED Driver provided. Standard 10A GPO to be provided above Canopy.



Stainless Steel Baffle Filters (Included)

Washable in Commercial Dishwasher



Approx Canopy Weight - 69 kg

NOTE. Standard Xtracta models do not have provision for integrated return air handling. Return air must be provided by other means into the facility as required.

All Dimensions are in millimetres - mm



PROJECT				
Xtracta - 2024				
DWG NO				
Xtracta 2024 - 18_1230				
SIZE	SCALE	SHEET	DATE	REV
A3	DNS	1	26/02/2025	4