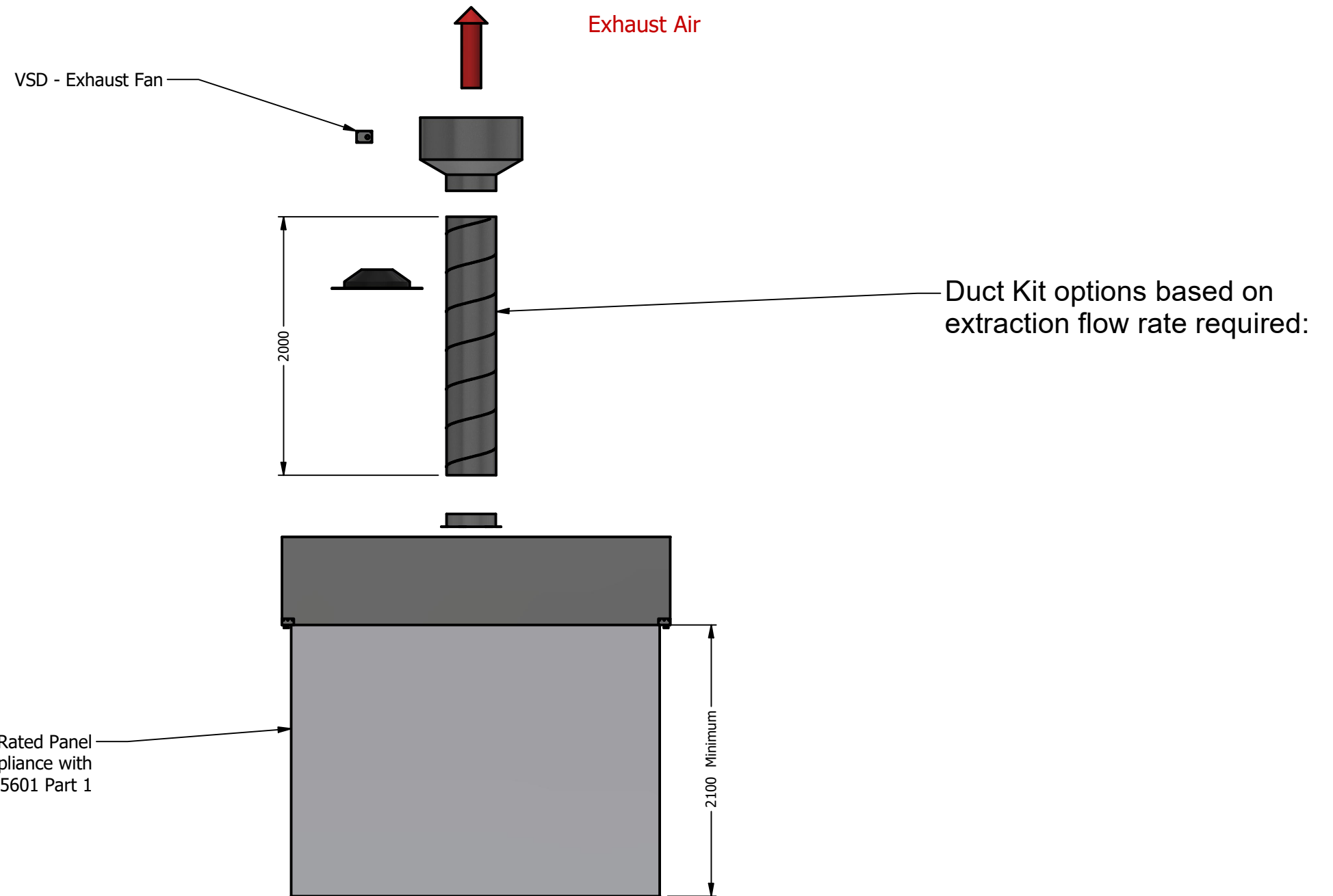
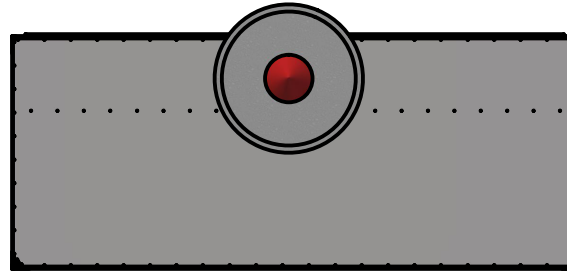


Top down View



These Canopy/Ducting schematic layout drawings are indicative only and are solely intended to provide a general overview of the generic components only.

Customers are responsible for designing and accurately measuring all of the layout configurations such as duct runs, fan locations, penetrations, etc. as specifically suits their particular installation and site conditions. Customers are responsible for ordering the component configuration that suits their particular installation.

Any required Approval or Sign-off authority by Mechanical Services agents are the responsibility of the customer.



PROJECT

**XTRACTA**

DWG NO

**Xtracta Kit topology- RIGID duct**

SIZE

**A3**

SCALE

**DNS**

SHEET

**1**

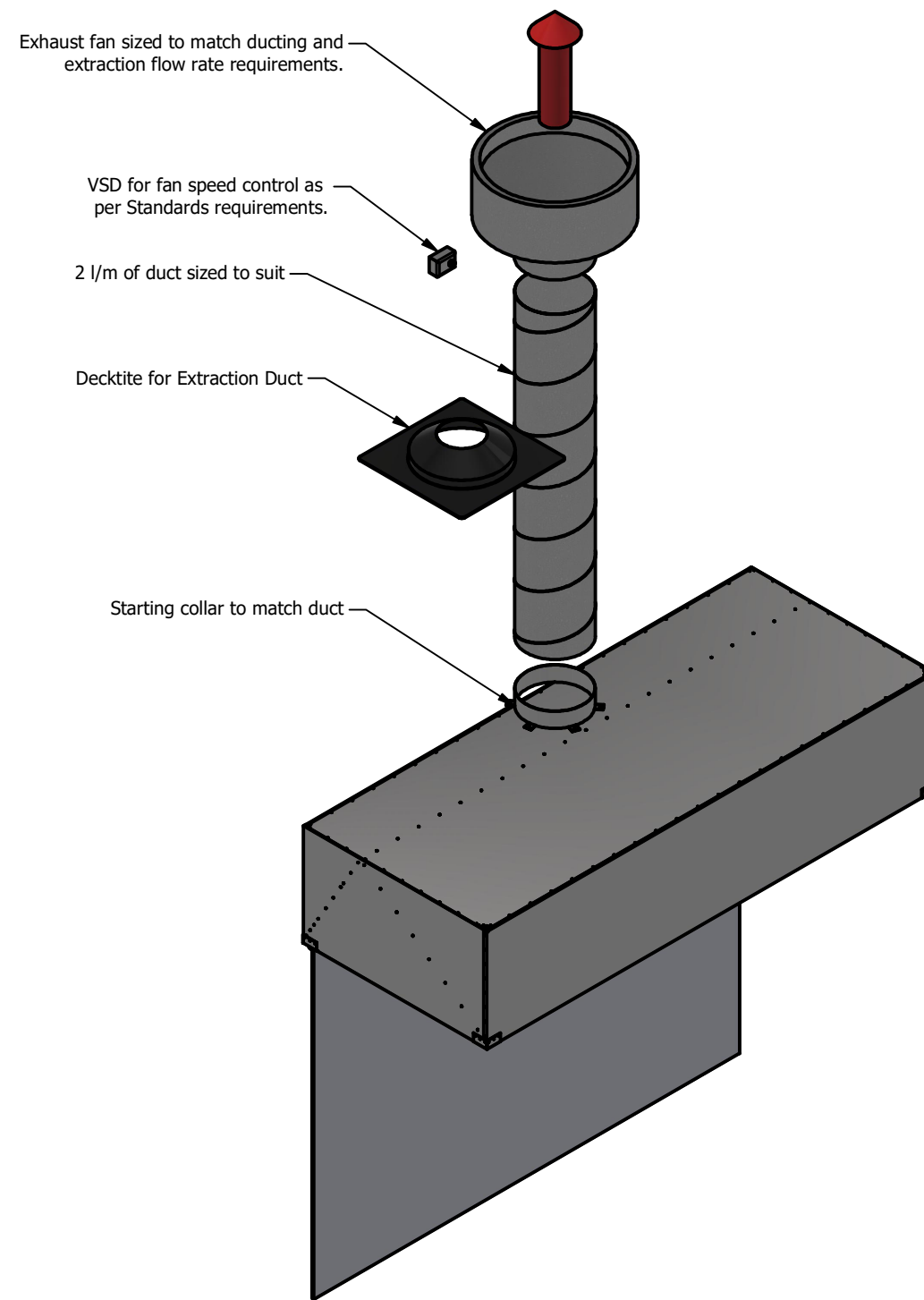
DATE

**23/03/2023**

REV

**1**

Exhaust Air



These Canopy/Ducting schematic layout drawings are indicative only and are solely intended to provide a general overview of the generic components only.

Customers are responsible for designing and accurately measuring all of the layout configurations such as duct runs, fan locations, penetrations, etc. as specifically suits their particular installation and site conditions. Customers are responsible for ordering the component configuration that suits their particular installation.

Any required Approval or Sign-off authority by Mechanical Services agents are the responsibility of the customer.



PROJECT

**XTRACTA**

DWG NO

**Xtracta Kit topology- RIGID duct**

SIZE

**A3**

SCALE

**DNS**

SHEET

**2**

DATE

**23/03/2023**

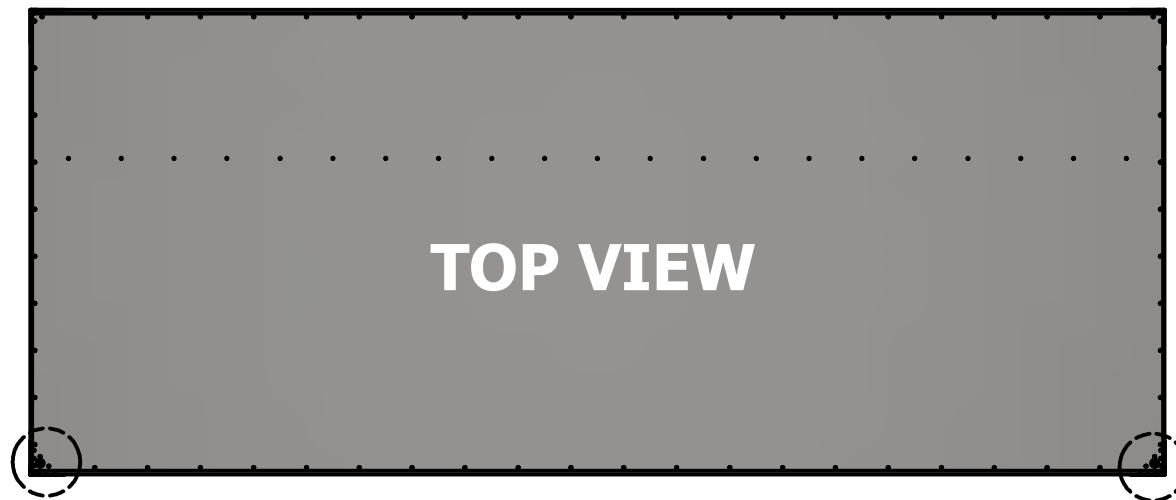
REV

**1**

# Hanging Details

M10

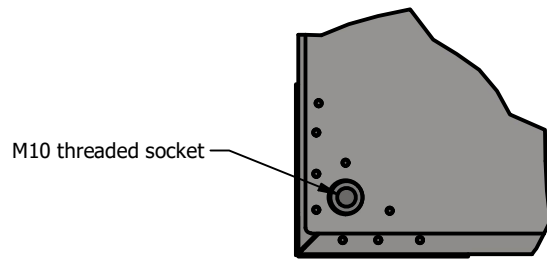
Drill Rear/Back mounting points as required.



**TOP VIEW**

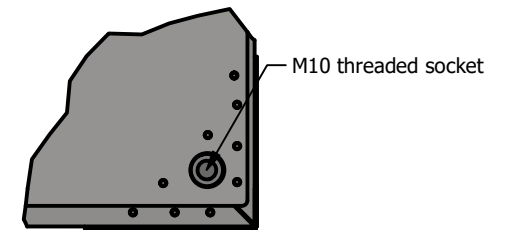
**FRONT**

In situ M10 Nutsert



M10 threaded socket

Front - Corner



M10 threaded socket

FRONT - Corner

These Canopy/Ducting schematic layout drawings are indicative only and are solely intended to provide a general overview of the generic components only.

Customers are responsible for designing and accurately measuring all of the layout configurations such as duct runs, fan locations, penetrations, etc. as specifically suits their particular installation and site conditions. Customers are responsible for ordering the component configuration that suits their particular installation.

Any required Approval or Sign-off authority by Mechanical Services agents are the responsibility of the customer.



PROJECT

**XTRACTA**

DWG NO

**Xtracta Kit topology- RIGID duct**

SIZE

**A3**

SCALE

**DNS**

SHEET

**3**

DATE

**23/03/2023**

REV

**1**